

WSD-ME – Weather protection roof

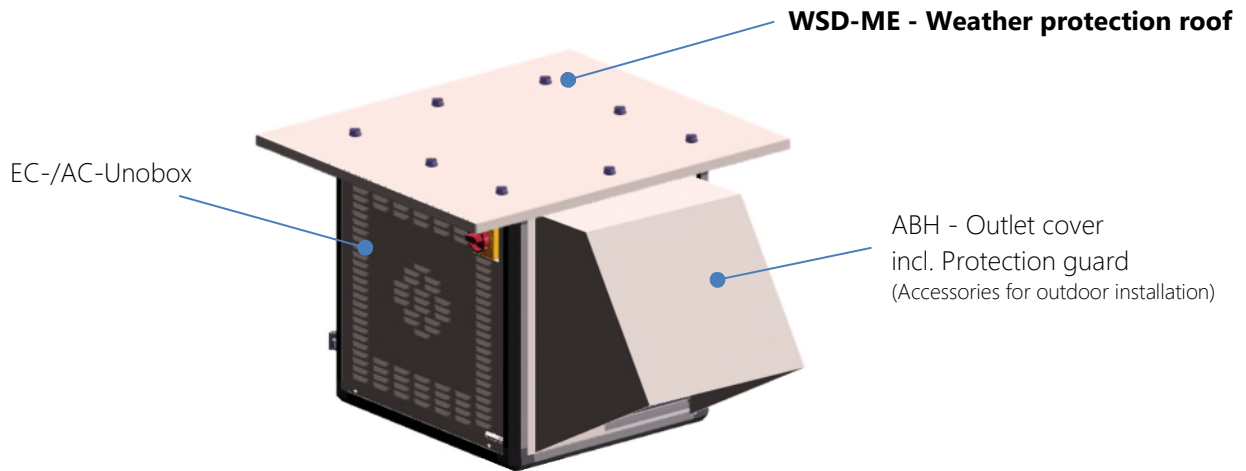
Accessories for Unobox-ME

The weather protection roof is made of corrosion-resistant aluminium and is welded at the corners. For outdoor installation the weatherproof cover protects the device and the components.

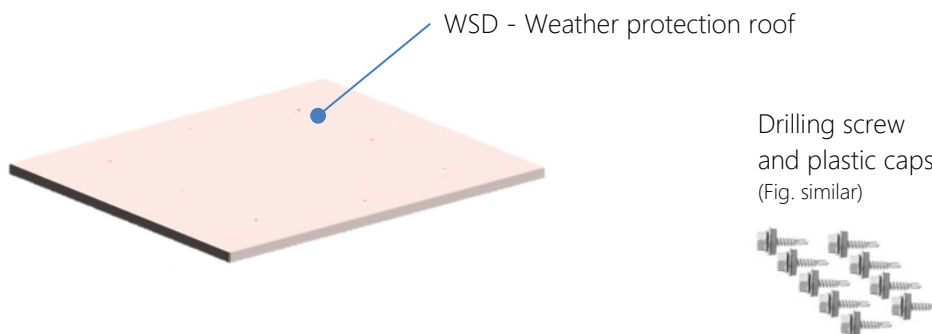


Delivery information:

Weather protection roof supplied **mounted** on the box:
(Specify when ordering)

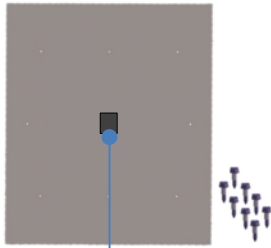


Weather protection roof **loose**:



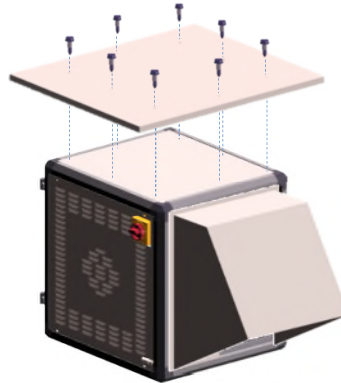
Installation notes:

1. Step
Weather protection guard
and fixing material

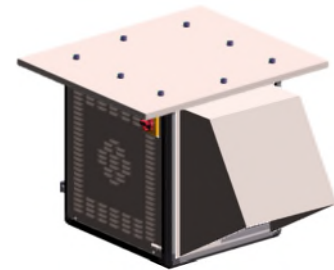


Sealing tape fitted as
standard

2. Step
Screw the weather protection
roof with the Unobox-ME

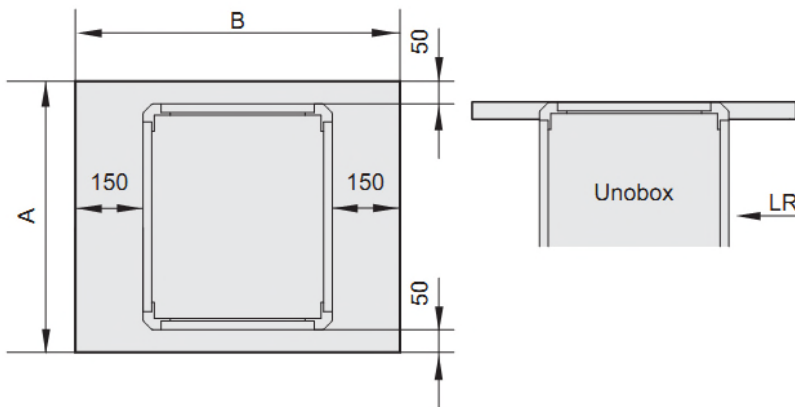


3. Step
Weather protection roof
mounted



Technical Data:

Dimensions:



Typ: AC-Variant

Size	Type	Art.-No.	A [mm]	B [mm]	Weight [kg]
UNO-ME 50-355	WSD-ME 50	F09-35552	600	720	1,8
UNO-ME 67-400	WSD-ME 67	F09-40052	770	800	2,6
UNO-ME 67-450	WSD-ME 67	F09-40052	770	800	2,6
UNO-ME 80-500	WSD-ME 80	F09-50052	900	890	3,3
UNO-ME 80-560	WSD-ME 801	F09-56052	900	1040	3,3
UNO-ME 80-630	WSD-ME 802	F09-63052	900	1100	3,3
UNO-ME 102-630	WSD-ME 102	F09-63053	1120	1180	5,4

Typ: EC-Variant

Size	Type	Art.-No.	A [mm]	B [mm]	Weight [kg]
UNO-ME 50-355	WSD-ME 50	F09-35554	670	910	2,0
UNO-ME 67-400	WSD-ME 67	F09-40054	840	970	2,8
UNO-ME 67-450	WSD-ME 67	F09-40054	840	970	2,8
UNO-ME 80-500	WSD-ME 80	F09-56052	970	1110	3,9
UNO-ME 80-560	WSD-ME 801	F09-56052	970	1110	3,9
UNO-ME 80-630	WSD-ME 802	F09-56052	970	1110	3,9

Scope of delivery:

- Weather protection roof (WSD-ME / WSD-ME-G)
- Fixing material