

## WSD – Weather protection roof

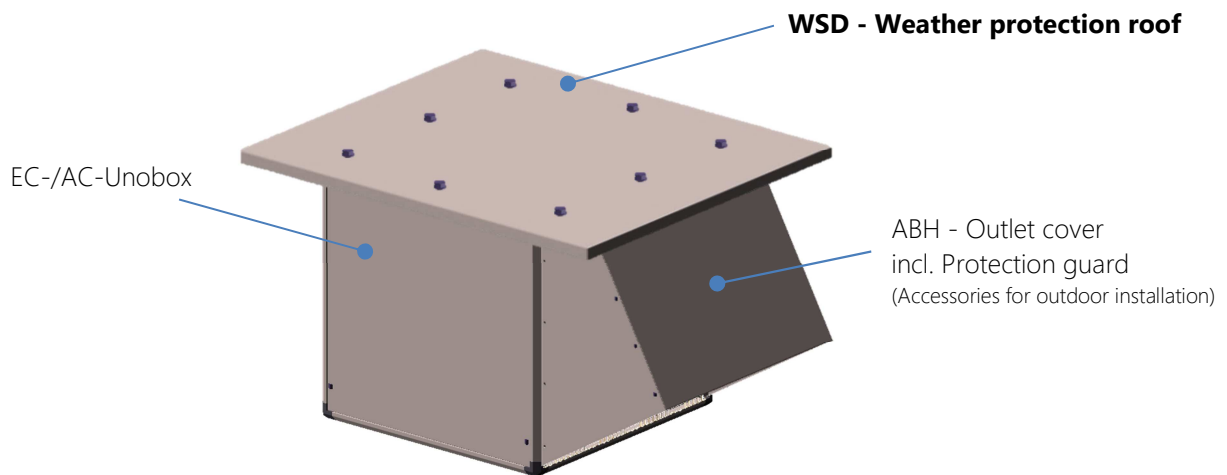
Accessories for Unobox

The weather protection roof is made of corrosion-resistant aluminium and is welded at the corners. For outdoor installation the weatherproof cover protects the device and the components.

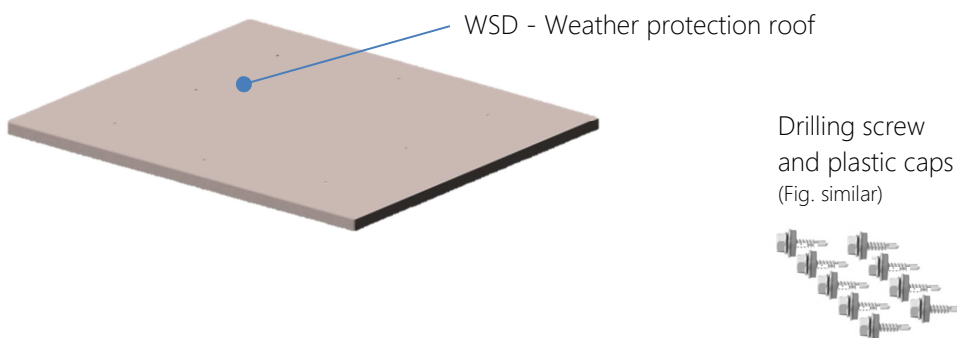


### Delivery information:

Weather protection roof supplied **mounted** on the box:  
(Specify when ordering)

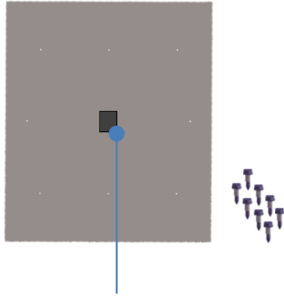


Weather protection roof **loose**:



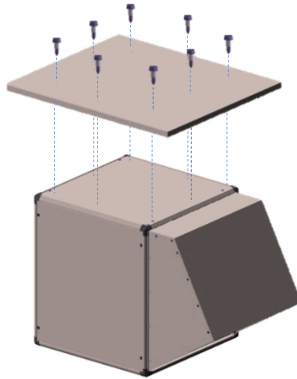
### Installation notes:

1. Step  
Weather protection roof  
and fixing material

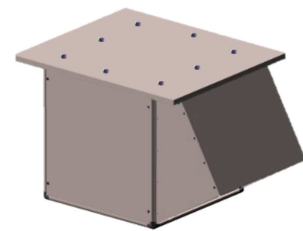


Sealing tape fitted as standard

2. Step  
Screw the Weather protection  
roof with the Unobox

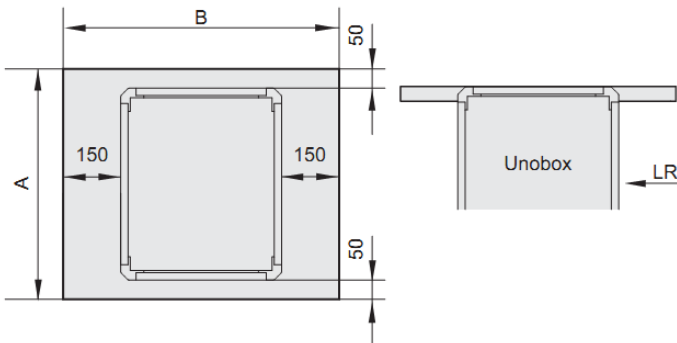


3. Step  
Weather protection roof  
mounted



### Technical Data:

Dimensions:



Size	Type	Art.-No.	A [mm]	B [mm]	Gewicht [kg]
UNO 50-355	WSD 50	F09-35553	600	800	1,8
UNO 67-400	WSD 67	F09-40053	770	970	2,6
UNO 67-500	WSD 67	F09-40053	770	970	2,6
UNO 80-560	WSD 80	F09-56053	900	1100	3,9
UNO 80-630	WSD 80	F09-56053	900	1100	3,9
UNO 102-710	WSD 102	F09-71053	1120	1320	5,4

### Scope of delivery:

- Weather protection roof (WSD)
- Fixing material